



Main Features

- Front Bezel IP-65 Stand Compliant
- Slim and compact enclosure design
- stand accommodate Power Brick
- Zero Bezel Touch(P Cap/ Resistive Option)
- Modular MSR/FingerPrint(Optional)
- Optional wall-mount kit for compact space accommodation

Product Overview

The NPD 1050 is a reliable and flexibility touch monitor that can support an integrated magnetic stripe reader (MSR) and also supports an integrated 2x20 rear customer display. The display has touchscreen with five-wire resistive and also with projected capacitive (PCAP) for a multi-touch experience and zero-bezel. The front bezel with frame and borderless (True Flat Surface) types design combined with its Solid IP65 Water and Dust proofing.

The NPD 1050 offers a stable base touch screen and a hidden cable management system, all in an elegant and simple-to-use design. The display can function as a desktop or wall-mounted unit and includes a VESA mounting option. The 15" touch monitor provides an affordable product in a convenient, space-saving design that both first-time and experienced users can deploy more easily, reliably, and more cost-effectively. NPD-1050 is the best solution for NEXPOS box PC fanless computer.

Specifications

Panel

- 15" 4:3 XGA (1024 x 768) TFT LCD panel
- 15" 5-wire resistive touch screen
- 15" projected capacitive true flat touch screen(optional)
- Front bezel complies with IP-65 protection standard
- Option kits for MSR/ Fingerprint/ VFD
- Optional wall-mount kit for compact space accommodation

Rear I/O

- Touch interface port: 1 x USB 2.0 Type B connector for Upstreaming; 1x USB 2.0 Type A for Downstreaming.
- Video port: 1 x DB15 VGA / 1x DVI-I connector/1 x DP (Display Port)
- OSD: 1 x AUTO button for auto adjust setting; optional 4 buttons (MENU, SELECT, ▲/+, ▼/-), on optional OSD switch board.
- COM: Optional: 2 x DB-9F for RS-232 Upstream.
- DC-IN Jack : 1 x +12VDC Input

System Control/ Indicator

- Power Switch: 1 x Power ON/ OFF switch
- Power LED: 1 x Power ON LED (Green)

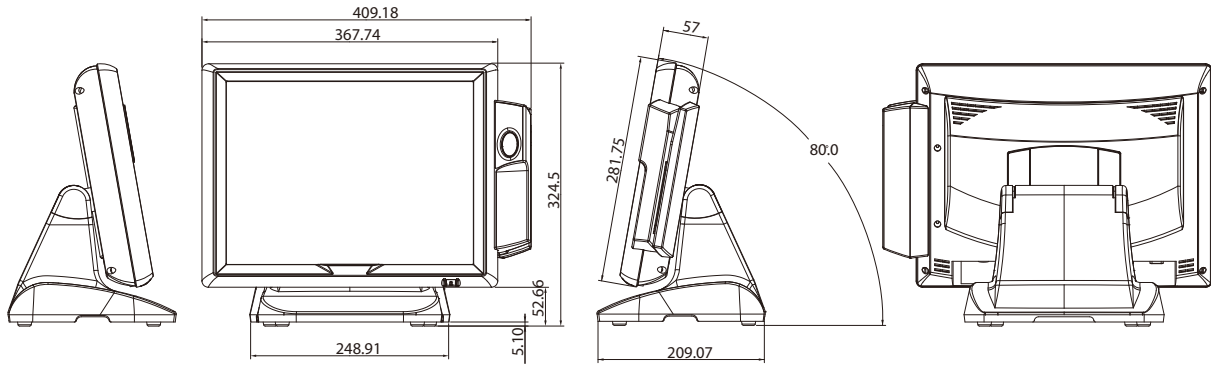
Mechanical & Environment

- Color: dark gray
- Mounting: desktop type, optional VESA 100 x 100mm wall-mount when detaching stand
- IP protection: front bezel complies with IP-65 protection standard
- Power input: +12VDC
- Power adapter: Default: Power source from NPB 3550 PoweredUSB 12V; Optional: External AC DC 12V/ 5.0A 60W Power Brick
- Operating temperature: 0°C to 40°C
- Storage temperature: -20°C to 60°C
- Operating humidity: 20%~80% relative humidity, non-condensing
- Dimension: 368mm (W) x 331mm (H) x 210mm (D) (no MSR), 410mm (W) x 331mm (H) x 210mm (D) (with MSR)
- Weight: 8.5kg
- Tilt angle: 0° ~ 80°

Certifications

- CE approval
- FCC Class A

Dimension Drawing



Ordering Information

- **NPD 1050-112 SYSTEM (P/N: A0Y20105000X0)**

NexPOS 15" LCD Resistive Touch POS Display 4:3 LCD flush touch monitor with VGA,DVI-D, and DP input